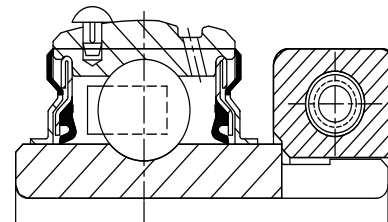
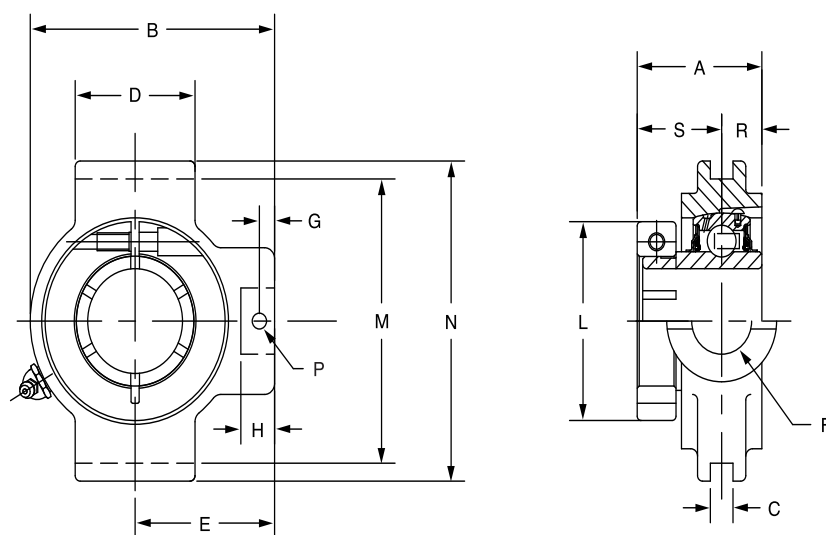




SELECTION/DIMENSIONS

D-LOK Ball Bearings DL NORMAL DUTY NARROW SLOT TAKE-UP BEARINGS



Series	Shaft Size	Standard	
		Part No.	Description
204	3/4	052626	NSTU-DL-012
	20mm	062738	NSTU-DL-20M
205	7/8	@	NSTU-DL-014
	15/16	@	NSTU-DL-015
	1	058994	NSTU-DL-100
	25mm	@	NSTU-DL-25M
206	1-1/8	@	NSTU-DL-102
	1-3/16	049467	NSTU-DL-103
	1-1/4	@	NSTU-DL-104S
	30mm	@	NSTU-DL-30M
207	1-1/4	074372	NSTU-DL-104
	1-3/8	068756	NSTU-DL-106
	1-7/16	053493	NSTU-DL-107
	35mm	@	NSTU-DL-35M
208	1-1/2	@	NSTU-DL-108
	40mm	@	NSTU-DL-40M
209	1-5/8	@	NSTU-DL-110L
	1-11/16	057543	NSTU-DL-111
	1-3/4	057658	NSTU-DL-112
	45mm	@	NSTU-DL-45M
210	1-15/16	059880	NSTU-DL-115
	2	067903	NSTU-DL-200
	50mm	@	NSTU-DL-50M
211	2	@	NSTU-DLM-200
	2-3/16	062281	NSTU-DL-203
	55mm	@	NSTU-DL-55M
212	2-1/4	@	NSTU-DLM-204
	2-7/16	064430	NSTU-DL-207
	60mm	068321	NSTU-DL-60M

@ Assembled to order.

FEATURES/BENEFITS
PAGE B6-3

HOW TO ORDER/NOMENCLATURE
PAGE B6-5

SELECTION/DIMENSIONS
PAGE B6-10

ACCESSORIES
PAGE B6-62

Bearing Reference Guide

ULTRA KLEEN

E-Z KLEEN

Extreme Duty

Setscrew Ball Bearing

GRIP TIGHT

D-LOK Ball Bearing

SELECTION/DIMENSIONS



D-LOK Ball Bearings DL NORMAL DUTY NARROW SLOT TAKE-UP BEARINGS

Bearing Reference Guide

ULTRA KLEEN

E-Z KLEEN

Extreme Duty

Setscrew Ball Bearing

GRIP TIGHT

D-LOK Ball Bearing

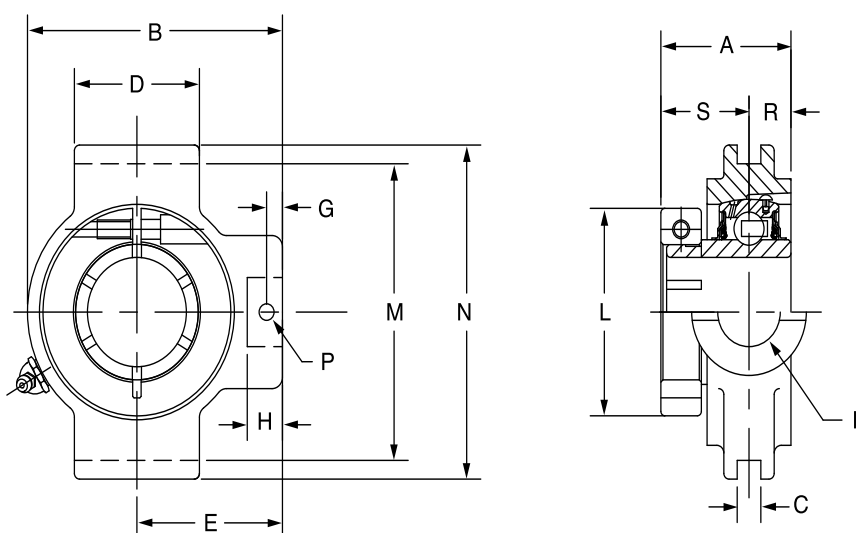
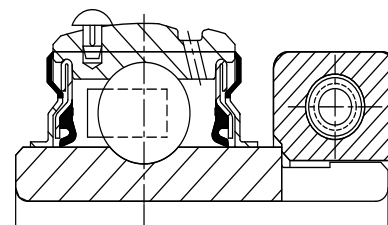
Series	Shaft Size	Weight lbs kg	Take-Up Frame Size	A	B	C	D	E	F Screw Dia.	G	H	J	L	M	N	P Pin Dia.	R	S
204	3/4	1.6	NS210	1.28	3.50	0.250	1.50	2.00	3/4	0.44	0.88	1.38	1.71	2.635/2.605	3.13	0.32	0.50	0.78
	20mm	0.8		32.5	88.9	6.35	38.1	50.8	19.1	11.2	22.4	35.1	43.4	66.93/66.17	79.5	8.1	12.7	19.8
205	7/8	1.7	NS210	1.44	3.56	0.250	1.50	2.19	3/4	0.44	0.88	1.38	1.99	2.635/2.605	3.13	0.32	0.56	0.88
	15/16	1.6		36.6	90.4	6.35	38.1	55.6	19.1	11.2	22.4	35.1	50.5	66.93/66.17	79.5	8.1	14.2	22.4
	1	1.5		36.6	90.4	6.35	38.1	55.6	19.1	11.2	22.4	35.1	50.5	66.93/66.17	79.5	8.1	14.2	22.4
206	25mm	0.7	NS308	1.56	4.31	0.250	2.50	2.69	3/4	0.50	0.94	1.38	2.22	3.510/3.480	4.13	0.32	0.58	0.98
	1-1/8	2.8		39.6	109.5	6.35	63.5	68.3	19.1	12.7	23.9	35.1	56.4	89.15/88.39	104.9	8.1	14.7	24.9
	1-3/16	2.7		39.6	109.5	6.35	63.5	68.3	19.1	12.7	23.9	35.1	56.4	89.15/88.39	104.9	8.1	14.7	24.9
207	1-1/4	2.6	NS308	1.75	4.50	0.250	2.50	2.69	3/4	0.50	0.94	1.38	2.69	3.510/3.480	4.13	0.32	0.67	1.08
	1-3/8	2.5		44.5	114.3	6.35	63.5	68.3	19.1	12.7	23.9	35.1	68.3	89.15/88.39	104.9	8.1	17.0	27.4
	1-7/16	2.5		44.5	114.3	6.35	63.5	68.3	19.1	12.7	23.9	35.1	68.3	89.15/88.39	104.9	8.1	17.0	27.4
208	30mm	1.2	NS400	2.01	5.38	0.313	3.00	3.25	7/8	0.66	1.16	1.63	2.74	4.015/3.985	4.75	0.38	0.75	1.26
	1-1/2	4.7		51.1	136.7	7.95	76.2	82.6	22.2	16.8	29.5	41.4	69.6	101.98/101.22	120.7	9.7	19.1	32.0
209	40mm	2.1	NS400	2.01	5.44	0.313	3.00	3.25	7/8	0.72	1.22	1.63	2.99	4.015/3.985	4.75	0.38	0.75	1.26
	1-5/8	4.9		51.1	138.2	7.95	76.2	82.6	22.2	18.3	31.0	41.4	75.9	101.98/101.22	120.7	9.7	19.1	32.0
	1-11/16	4.8		51.1	138.2	7.95	76.2	82.6	22.2	18.3	31.0	41.4	75.9	101.98/101.22	120.7	9.7	19.1	32.0
210	1-3/4	4.7	NS400	2.01	5.50	0.313	3.00	3.25	7/8	0.59	1.09	1.63	3.24	4.015/3.985	4.75	0.38	0.75	1.26
	45mm	2.1		51.1	139.7	7.95	76.2	82.6	22.2	15.0	27.7	41.4	82.3	101.98/101.22	120.7	9.7	19.1	32.0
211	2	4.8	NS407	2.25	6.13	0.313	3.50	3.63	1	0.69	1.28	1.75	3.69	4.448/4.418	5.38	0.44	0.88	1.37
	2-3/16	6.6		57.2	155.7	7.95	88.9	92.2	25.4	17.5	32.5	44.5	93.7	112.98/112.22	136.7	11.2	22.4	34.8
212	55mm	3.0	NS415	2.38	6.69	0.313	3.75	3.88	1	0.69	1.28	1.63	4.11	4.947/4.917	5.75	0.44	0.90	1.48
	2-1/4	8.7		60.5	169.9	7.95	95.3	98.6	25.4	17.5	32.5	41.4	104.4	125.65/124.89	146.1	11.2	22.9	37.6

FEATURES/BENEFITS PAGE B6-3	HOW TO ORDER/NOMENCLATURE PAGE B6-5	SELECTION/DIMENSIONS PAGE B6-10	ACCESSORIES PAGE B6-62
--------------------------------	--	------------------------------------	---------------------------



SELECTION/DIMENSIONS

D-LOK Ball Bearings DLM MEDIUM DUTY NARROW SLOT TAKE-UP BEARINGS



Series	Shaft Size	Part No.	Description
206	1	067726	NSTU-DLM-100
207	1-3/16	@	NSTU-DLM-103
	1-1/4	@	NSTU-DL-104
208	1-7/16	056779	NSTU-DLM-107
	35mm	@	NSTU-DLM-35M
209	1-1/2	@	NSTU-DLM-108
	1-5/8	@	NSTU-DL-110L
210	1-11/16	058081	NSTU-DLM-111
	1-3/4	@	NSTU-DLM-112
211	1-15/16	@	NSTU-DLM-115
	2	@	NSTU-DLM-200
212	2-3/16	074163	NSTU-DLM-203
	2-1/4	@	NSTU-DLM-204

@ Assembled to order

FEATURES/BENEFITS
PAGE B6-3

HOW TO ORDER/NOMENCLATURE
PAGE B6-5

SELECTION/DIMENSIONS
PAGE B6-10

ACCESSORIES
PAGE B6-62

Bearing Reference Guide

ULTRA KLEEN

E-Z KLEEN

Extreme Duty

Setscrew Ball Bearing

GRIP TIGHT

D-LOK Ball Bearing

SELECTION/DIMENSIONS



D-LOK Ball Bearings DLM MEDIUM DUTY NARROW SLOT TAKE-UP BEARINGS

Bearing Reference Guide

ULTRA KLEEN

E-Z KLEEN

Extreme Duty

Setscrew Ball Bearing

GRIP TIGHT

D-LOK Ball Bearing

Series	Shaft Size	Weight lbs kg	Take-Up Frame Size	A	B	C	D	E	F Screw Dia.	G	H	J	L	M	N	P Pin Dia.	R	S
206	1	2.6	NS308	1.56	4.31	0.250	2.50	2.69	3/4	0.50	0.94	1.38	2.22	3.510/3.480	4.13	0.32	0.58	0.98
				39.6	109.5	6.35	63.5	68.3	19.1	12.7	23.9	35.1	56.4	89.15/88.39	104.9	8.1	14.7	24.9
207	1-3/16	2.8	NS308	1.75	4.50	0.250	2.50	2.69	3/4	0.50	0.94	1.38	2.69	3.510/3.480	4.13	0.32	0.67	1.08
	1-1/4	2.8		44.5	114.3	6.35	63.5	68.3	19.1	12.7	23.9	35.1	68.3	89.15/88.39	104.9	8.1	17.0	27.4
208	1-7/16	4.7	NS400	2.01	5.38	0.313	3.00	3.25	7/8	0.66	1.16	1.63	2.74	4.015/3.985	4.75	0.38	0.75	1.26
	35mm	2.1		51.1	136.7	7.95	76.2	82.6	22.2	16.8	29.5	41.4	69.6	101.98/101.22	120.7	9.7	19.1	32.0
209	1-1/2	4.9	NS400	2.01	5.44	0.313	3.00	3.25	7/8	0.72	1.22	1.63	2.99	4.015/3.985	4.75	0.38	0.75	1.26
	1-5/8	4.8		51.1	138.2	7.95	76.2	82.6	22.2	18.3	31.0	41.4	75.9	101.98/101.22	120.7	9.7	19.1	32.0
210	1-11/16	4.9	NS400	2.01	5.50	0.313	3.00	3.25	7/8	0.59	1.09	1.63	3.24	4.015/3.985	4.75	0.38	0.75	1.26
	1-3/4	4.8		51.1	139.7	7.95	76.2	82.6	22.2	15.0	27.7	41.4	82.3	101.98/101.22	120.7	9.7	19.1	32.0
211	1-15/16	6.8	NS407	2.25	6.13	0.313	3.50	3.63	1	0.69	1.28	1.75	3.69	4.448/4.418	5.38	0.44	0.88	1.37
	2	6.8		57.2	155.7	7.95	88.9	92.2	25.4	17.5	32.5	44.5	93.7	112.98/112.22	136.7	11.2	22.4	34.8
212	2-3/16	8.7	NS415	2.38	6.69	0.313	3.75	3.88	1	0.69	1.28	1.63	4.11	4.947/4.917	5.75	0.44	0.90	1.48
	2-1/4	8.7		60.5	169.9	7.95	95.3	98.6	25.4	17.5	32.5	41.4	104.4	125.65/124.89	146.1	11.2	22.9	37.6

FEATURES/BENEFITS PAGE B6-3	HOW TO ORDER/NOMENCLATURE PAGE B6-5	SELECTION/DIMENSIONS PAGE B6-10	ACCESSORIES PAGE B6-62
--------------------------------	--	------------------------------------	---------------------------